

4

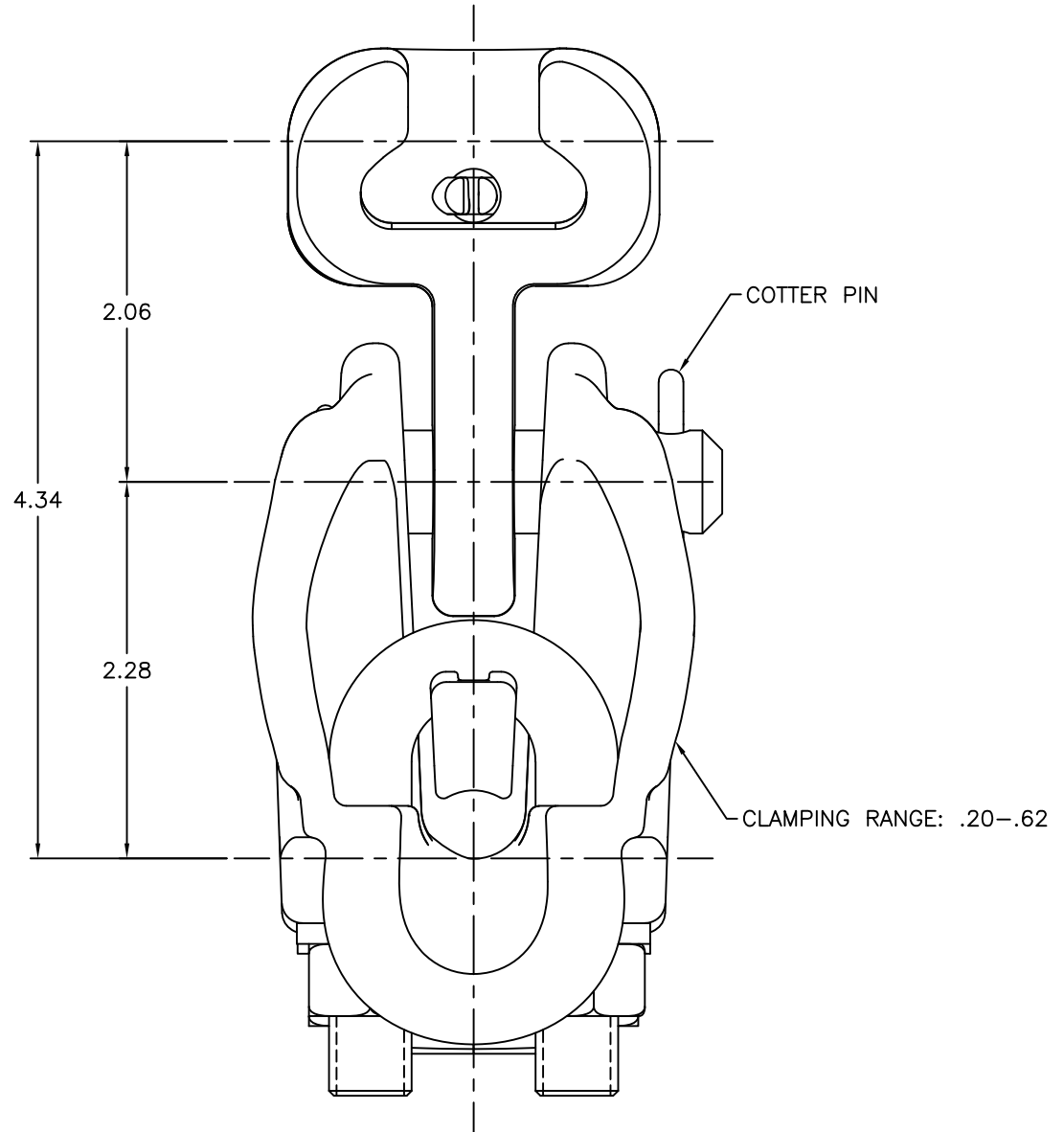
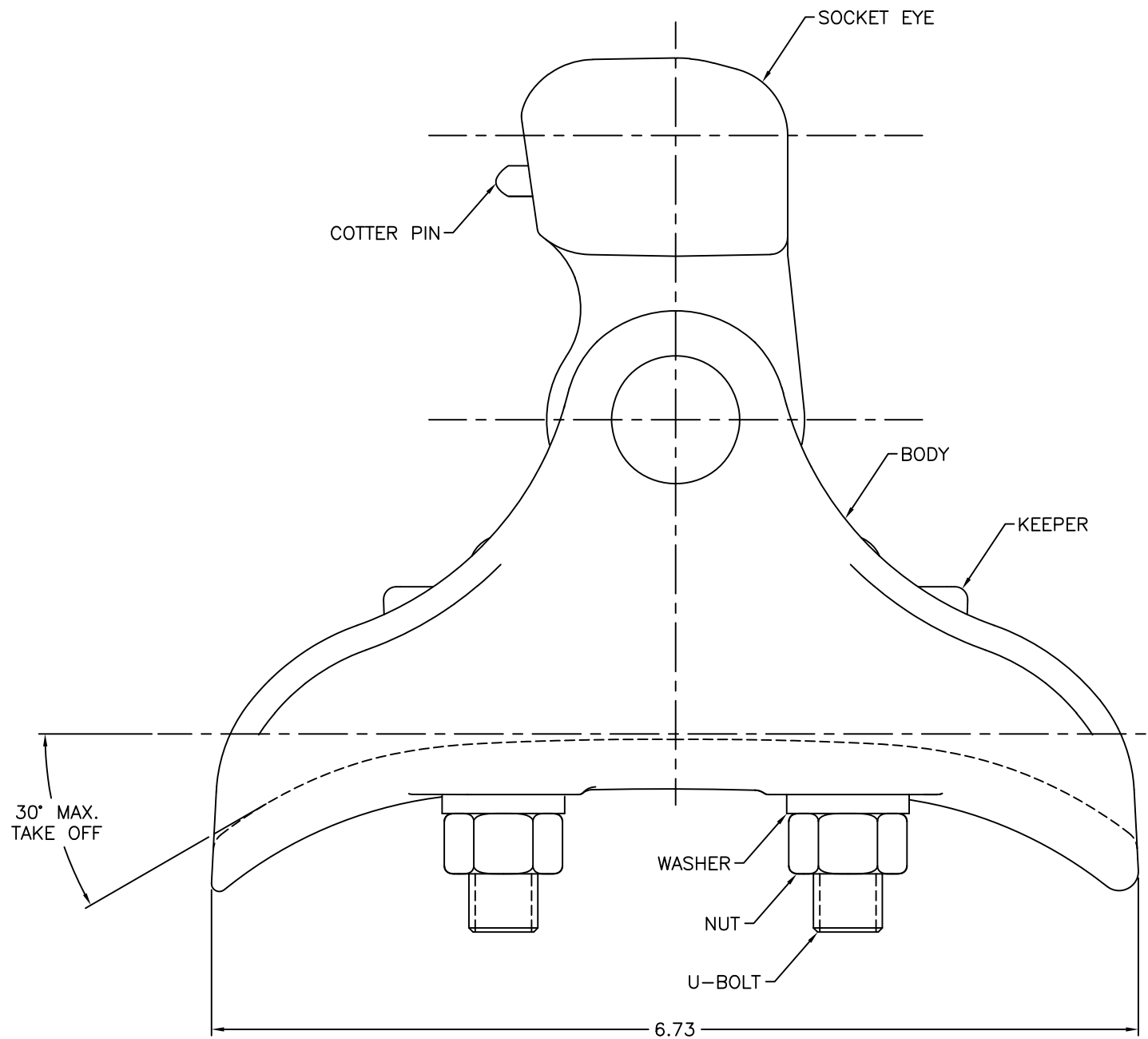
3

2

1

B

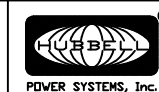
B



NOTES:

- MATERIAL: BODY & KEEPER - ALUMINUM ALLOY, CLEVIS PIN, U-BOLT, NUT & WASHER - GALV. STEEL, COTTER PIN - STAINLESS STEEL. SOCKET EYE - GALV. DUCTILE IRON.
- HOT DIP GALVANIZED PER ASTM A153.
- DIMENSIONS IN INCHES.
- FOR USE WITH CLASS 52-3 AND 52-5 INSULATORS PER ANSI C29.2
- WEIGHT: 3.2 LBS

--	--	--	PTB	PTB
EC #	DATE	CHG BY	CKD BY	APPD BY
DESC OF DWG: DRAWING CREATED IN AUTOCAD				WEIGHT, LBS 3.30
PRELIMINARY ONLY				THIRD ANGLE PROJECTION
REASON (S) FOR CHANGE: --				CONFIDENTIAL: THIS DRAWING AND ITS CONTENTS ARE CONFIDENTIAL AND THE EXCLUSIVE PROPERTY OF HUBBELL POWER SYSTEMS. NO PUBLICATION, DISTRIBUTION, OR COPIES MAY BE MADE WITHOUT THE WRITTEN CONSENT OF HUBBELL POWER SYSTEMS. HUBBELL POWER SYSTEMS UNPUBLISHED ALL RIGHTS RESERVED UNDER THE COPYRIGHT LAWS.
DISPOSITION OF MAT'L: --				



HUBBELL POWER SYSTEMS, Inc.

TITLE SUSPENSION CLAMP 17K LBS ULT. STR.			
CATALOG NUMBER: HAS62S			
SIZE B	DWG NO. CUTSHEET	PART / ASSY NO. --	REV B
SCALE: NS	DRN BY: SS	DATE: 02/18/22	SHEET 1 OF 1

A

A

4

3

2